

Parabolic antenna JRMC - 1200 - 17/18

Antenna JRMC – 1200 – 17/18 is designed for microwave links at the frequency band 17 and 18 GHz. Precise performance with deep reflector dish is complying with standard ETSI Class 3 and FCC Cat. A.

Electrical parameters:

Frequency range	17.1 – 19.7 GHz
Gain – Low frequency	43.2 ± 1 dBi
Gain – High frequency	44.7 ± 1 dBi
Front to back ratio	≥ 72 dB
XPD	≥ 36 dB
Beamwidth _{-3 dB}	0.9°
Return loss	≥ 17 dB
Polarization	Linear, vertical/horizontal
Electrical Compliance	US FCC Cat. A Class 3 ETSI EN 302-217-4-2

Mechanical parameters:

Parabola	Ø 1200 mm , aluminium alloy
Radom	Fiberglass
Input / output	Circle waveguide Ø 11 mm
Installation for mast	Ø 80 - 120 mm Ø 60 - 80 mm – with wind bracing set
Operating wind load	
- without wind bracing set	110 km/h (68 mph)
- with wind bracing set	140 km/h (87 mph)
Survival wind load	210 km/h (130 mph)
Weight of antenna	28.5 kg (63 lbs.)
Shipping dimensions – 1 pc	1300 x 800 x 1430 mm / 66 kg (146 lbs)
Shipping dimensions – 2 pcs	1300 x 1100 x 1430 mm / 101 kg (223 lbs)

Parabolic antenna JRMC - 1200 - 17/18

Usage:

The antenna is supplied together with a massive holder that allows easy mounting on a mast. Holder can be installed separately on the mast. Subsequently, the antenna with microwave unit can be simply hung up into it.

Antenna holder allows fine setting elevation $\pm 15^\circ$ and azimuth $\pm 7^\circ$. Ready for right and left side mounting.

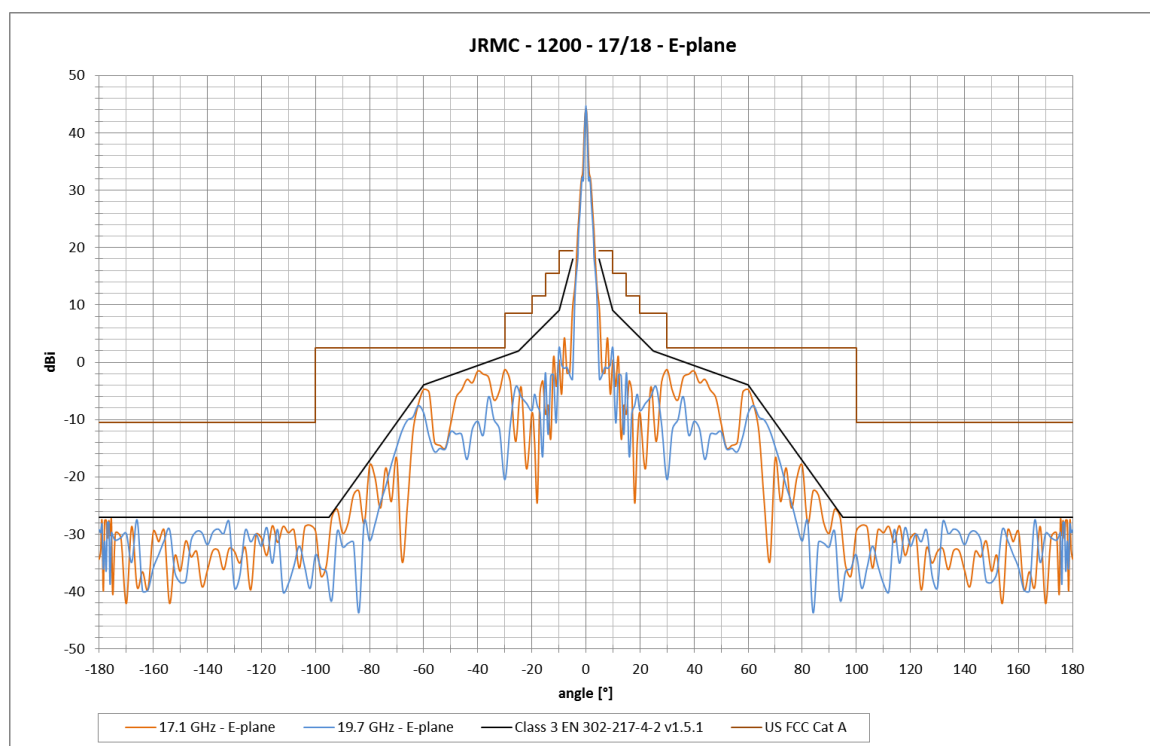
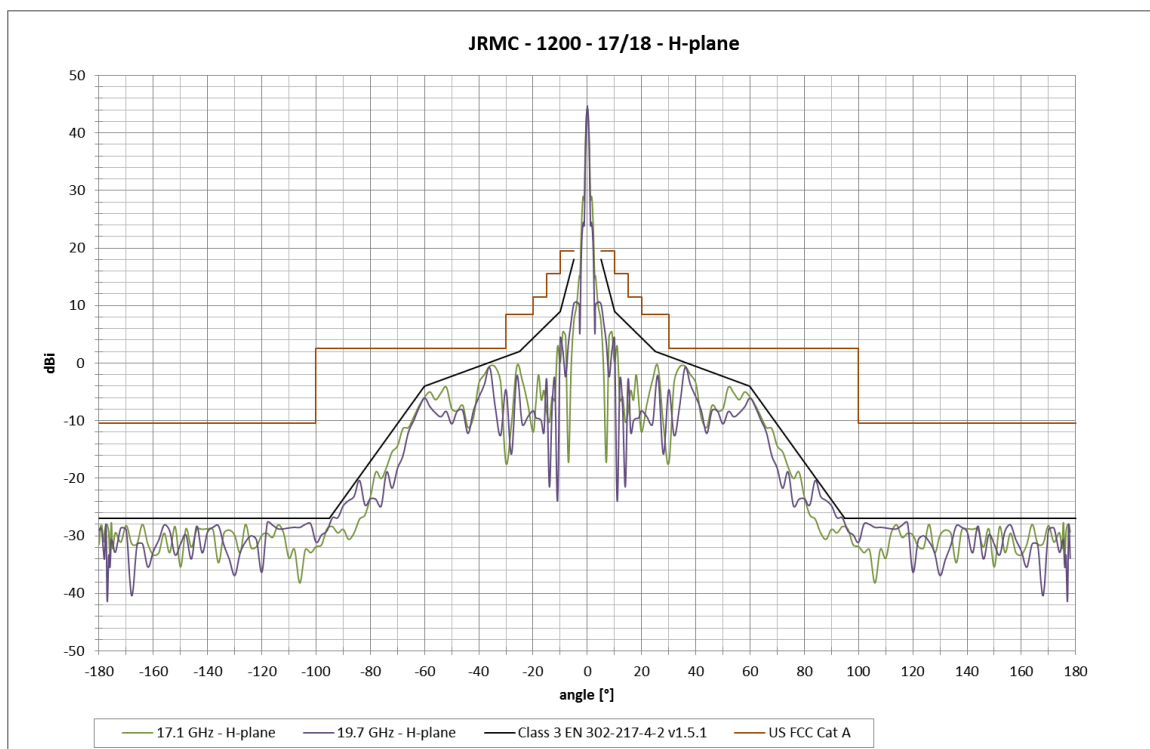
In the areas with the expected occurrence of the strong winds the usage of the (adjustable) wind bracing set is recommended. For mounting on the **mast $\varnothing 60 - 80$ mm** the usage of the **(adjustable) wind bracing set** is strongly recommended.

The usage of adjustable wind bracing set allows to set azimuth more comfortably.

The **wind bracing set** or the **adjustable wind bracing set** are optional accessories.

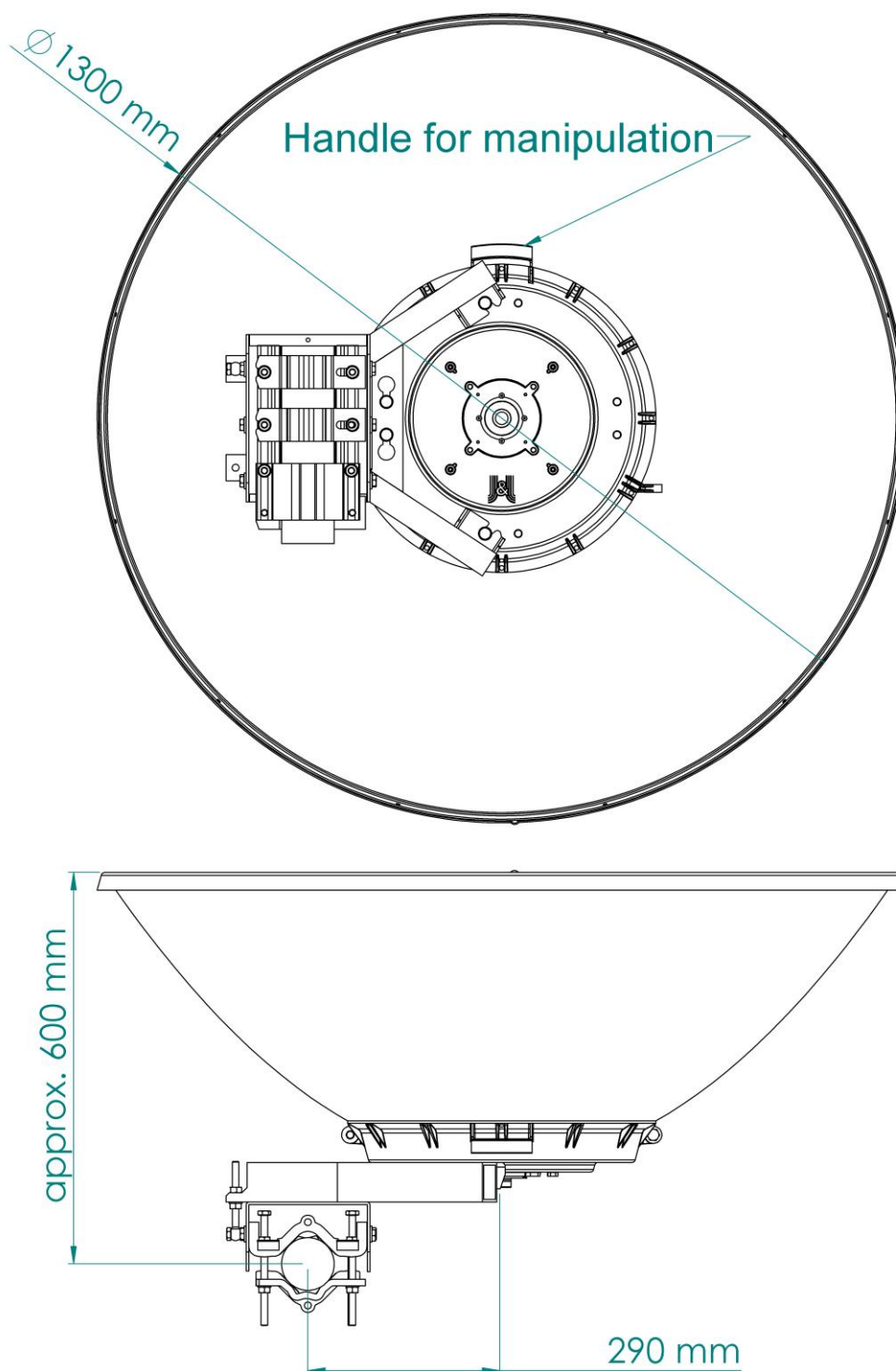
Parabolic antenna JRM - 1200 - 17/18

Measurement of radiation pattern:

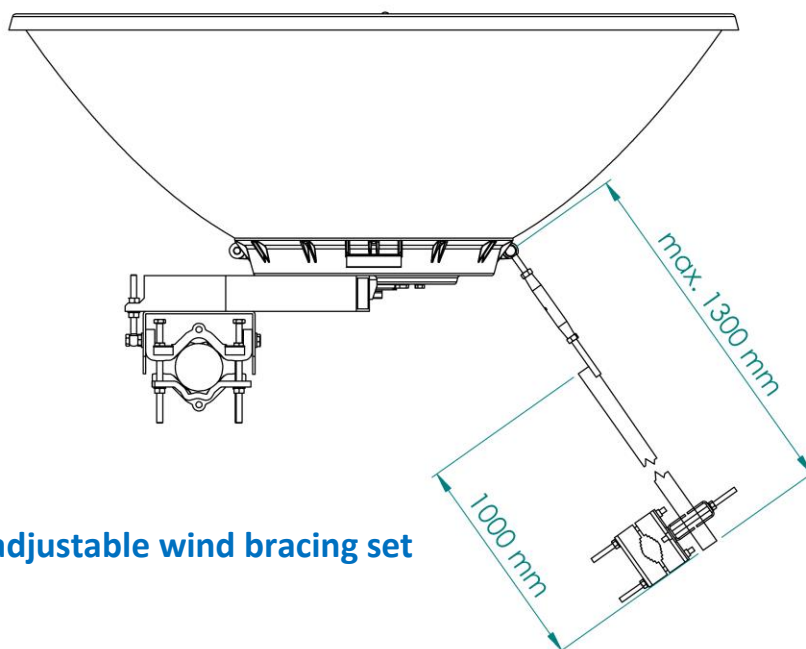


Parabolic antenna JPMC - 1200 - 17/18

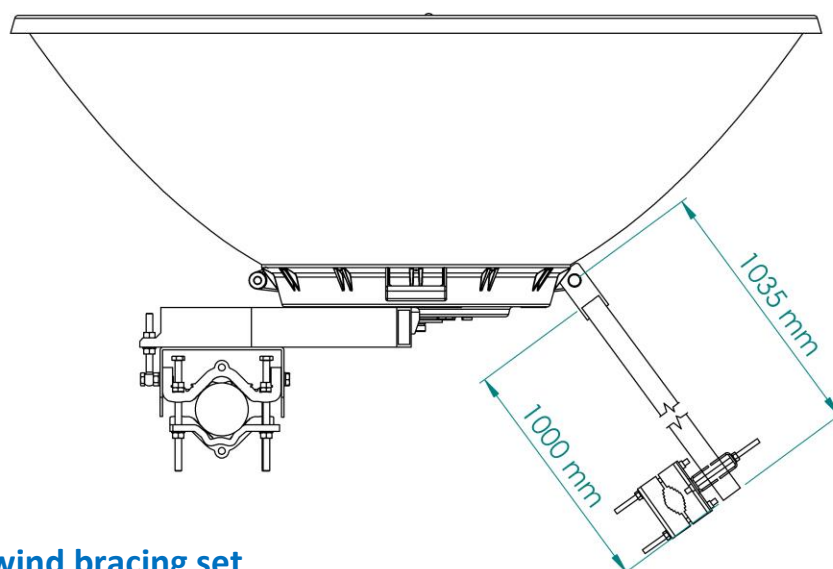
Outline:



Parabolic antenna JPMC - 1200 - 17/18



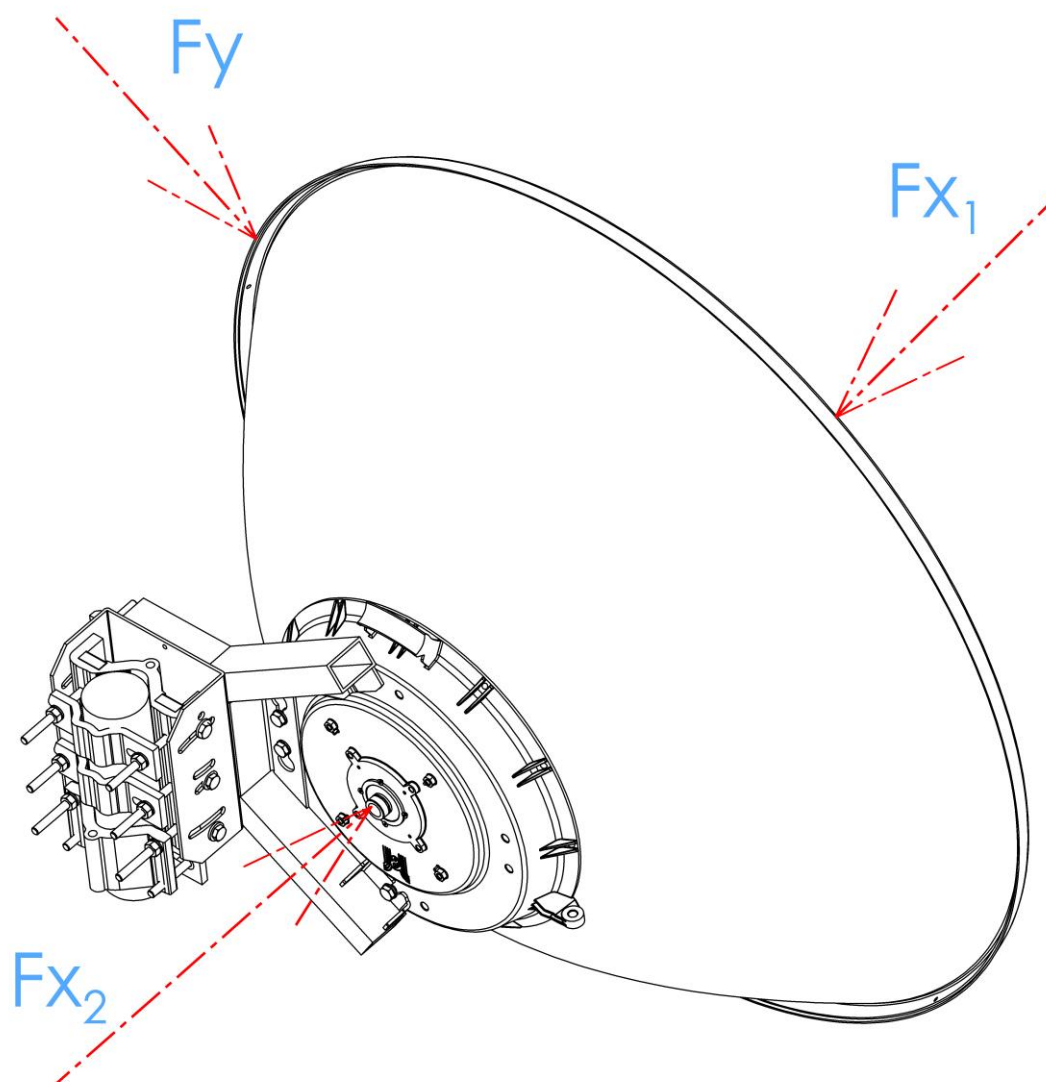
Antenna with adjustable wind bracing set



Antenna with wind bracing set

Parabolic antenna JRMC - 1200 - 17/18

Wind loading:



Wind Loading at 200 km/h [125 mph]

Direction	Force [N]	Force [lbf]
F_{X_1}	2696	606
F_{X_2}	2186	491.4
F_y	247	55.5