

## Parabolic antenna JRM C - 1200 -24/26

Antenna JRM C – 1200 – 24/26 is designed for microwave links at the frequency band 24 and 26 GHz. Precise performance with deep reflector dish is complying with standard ETSI class 3 and FCC Cat. A.

### Electrical parameters:

<b>Frequency range</b>	24.0 – 26.5 GHz
<b>Gain</b> – Low frequency	46.0 ± 1 dBi
<b>Gain</b> – High frequency	47.0 ± 1 dBi
<b>Front to back ratio</b>	≥ 73 dB
<b>Beamwidth</b> <sub>-3 dB</sub>	0.65°
<b>Return loss</b>	≥ 18 dB
<b>Polarization</b>	Linear, vertical/horizontal
<b>Electrical Compliance</b>	US FCC <b>Cat. A</b> <b>Class 3</b> ETSI EN 302-217-4-2

### Mechanical parameters:

<b>Parabola</b>	Ø 1200 mm , aluminium alloy
<b>Radom</b>	Fiberglass
<b>Input / output</b>	Circle waveguide Ø 8 mm
<b>Installation for mast</b>	Ø 80 - 120 mm Ø 60 - 80 mm – with wind bracing set
<b>Operating wind load</b>	
- without wind bracing set	110 km/h (68 mph)
- with wind bracing set	140 km/h (87 mph)
<b>Survival wind load</b>	210 km/h (130 mph)
<b>Weight of antenna</b>	28.5 kg (63 lbs.)
<b>Shipping dimensions – 1 pc</b>	1300 x 800 x 1430 mm / 66 kg (146 lbs)
<b>Shipping dimensions – 2 pcs</b>	1300 x 1100 x 1430 mm / 101 kg (223 lbs)

## Parabolic antenna JRMC - 1200 -24/26

---

### Usage:

The antenna is supplied together with a massive holder that allows easy mounting on a mast. Holder can be installed separately on the mast. Subsequently, the antenna with microwave unit can be simply hung up into it.

Antenna holder allows fine setting elevation  $\pm 15^\circ$  and azimuth  $\pm 7^\circ$ . Ready for right and left side mounting.

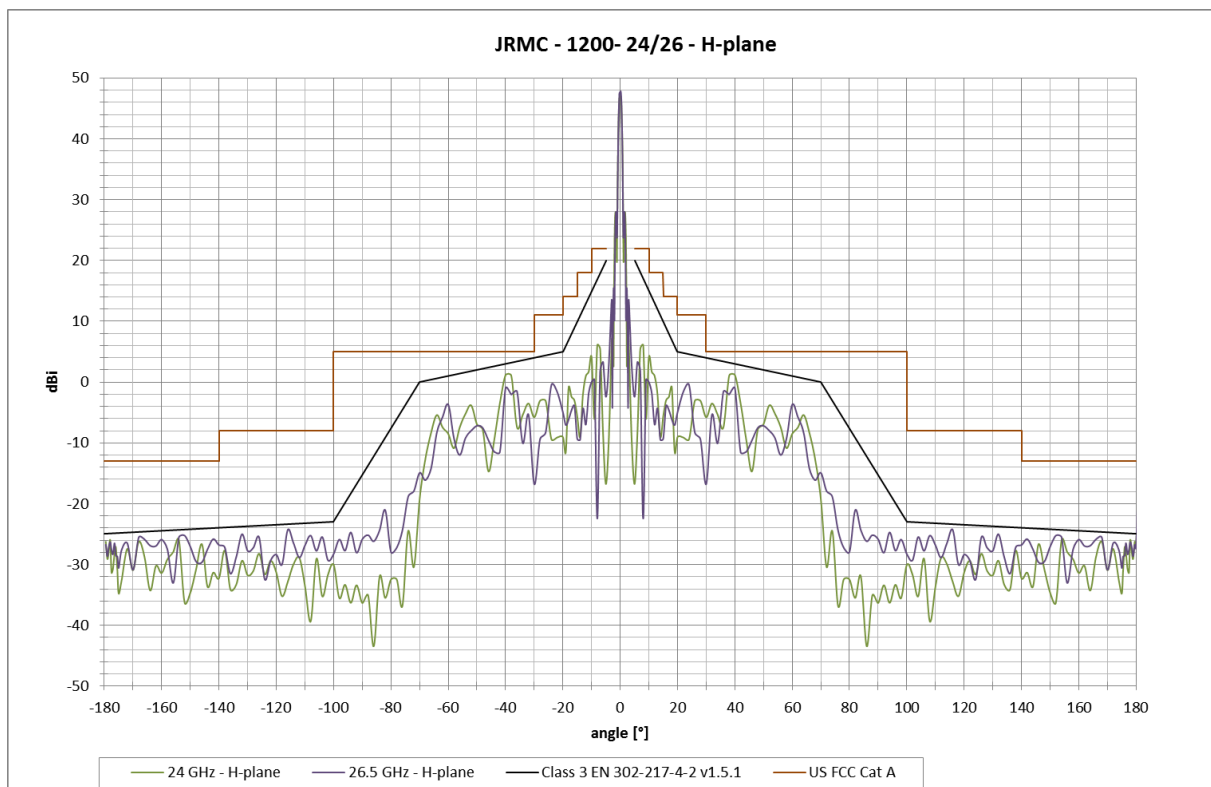
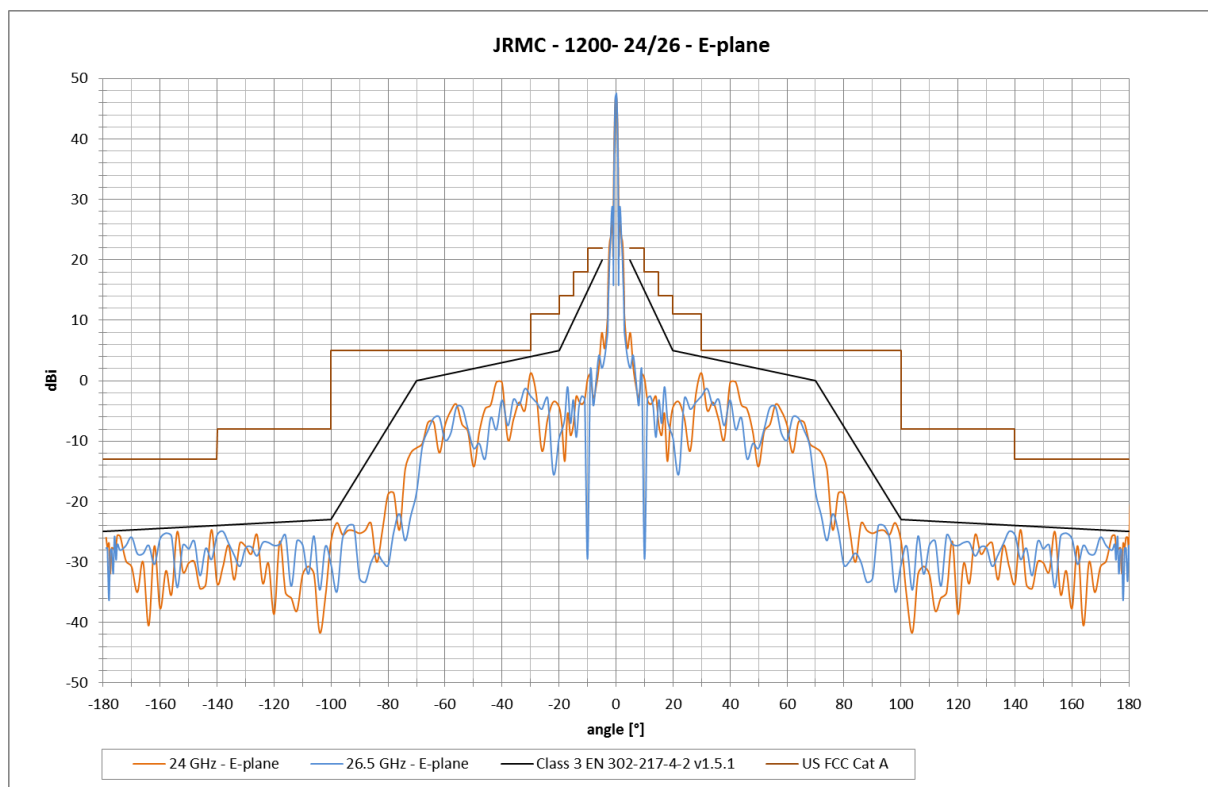
In the areas with the expected occurrence of the strong winds the usage of the (adjustable) wind bracing set is recommended. For mounting on the **mast  $\varnothing$  60 – 80 mm** the usage of the **(adjustable) wind bracing set** is strongly recommended.

The usage of adjustable wind bracing set allows to set azimuth more comfortably.

The **wind bracing** set or the **adjustable wind bracing set** are optional accessories.

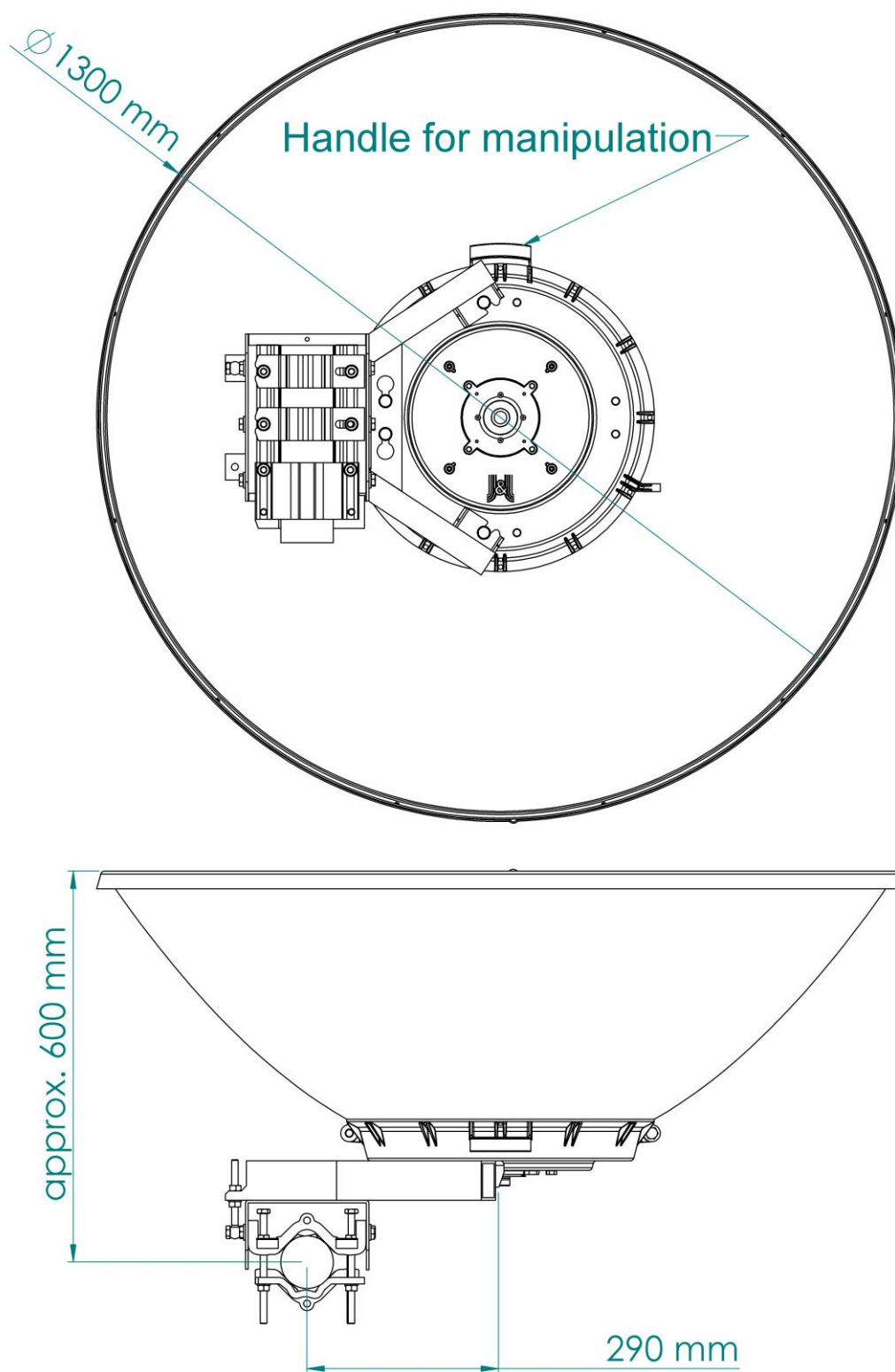
# Parabolic antenna JPMC - 1200 -24/26

## Measurement of radiation pattern:

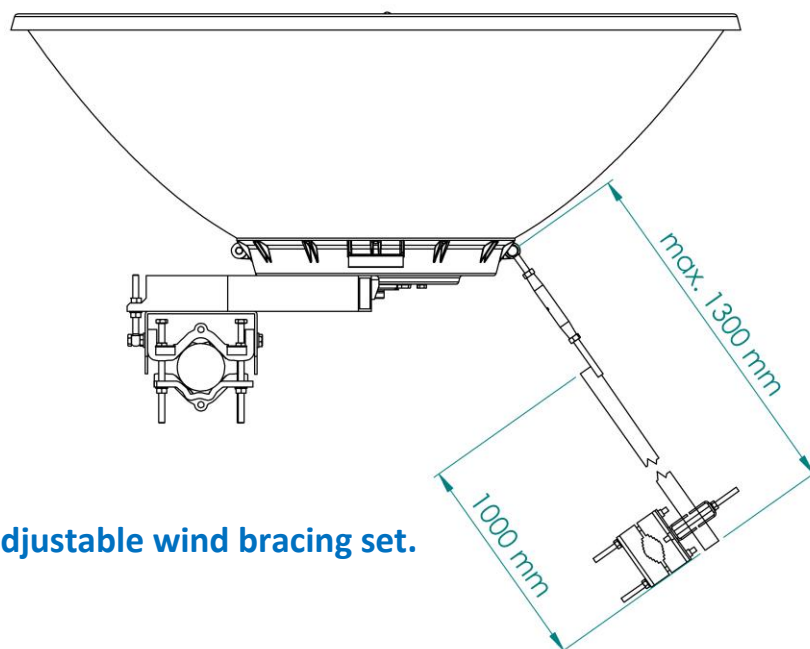


## Parabolic antenna JRMC - 1200 -24/26

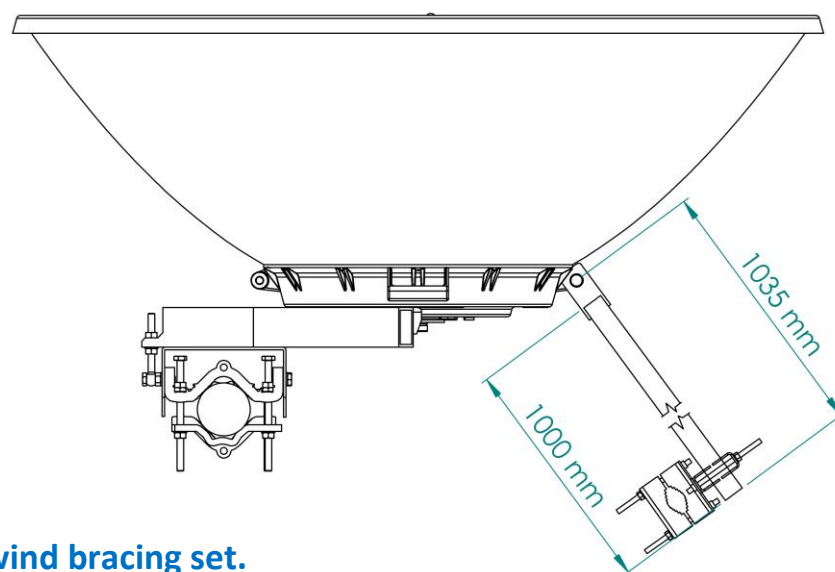
### Outline:



## Parabolic antenna JPMC - 1200 -24/26



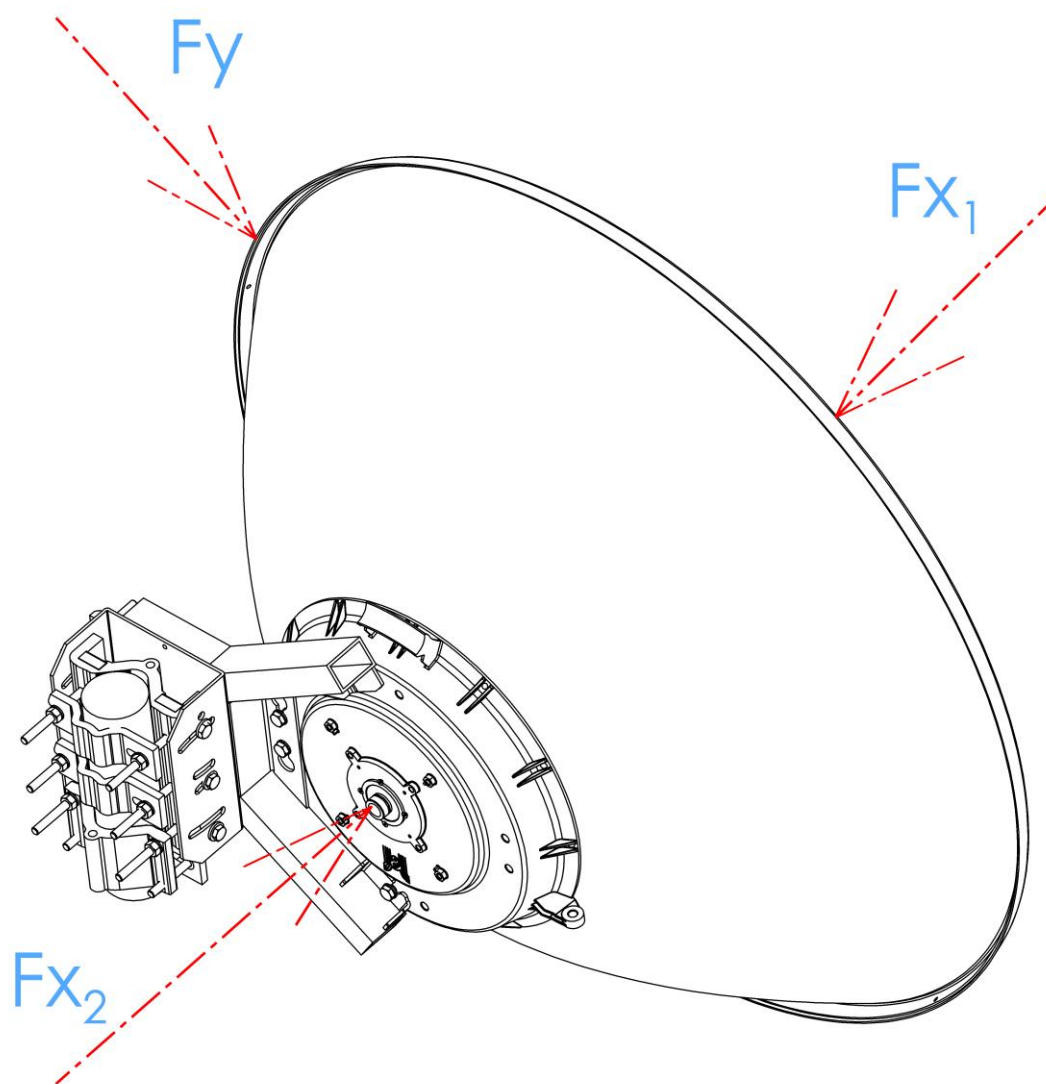
Antenna with adjustable wind bracing set.



Antenna with wind bracing set.

## Parabolic antenna JRMC - 1200 -24/26

### Wind loading:



### Wind Loading at 200 km/h [125 mph]

Direction	Force [N]	Force [lbf]
$F_{X_1}$	2696	606
$F_{X_2}$	2186	491.4
$F_y$	247	55.5