

## Parabolic antenna JPMC - 1800 -10/11

Antenna **JPMC – 1800 – 10/11** is designed for microwave links at the frequency band 10 and 11 GHz. Precise performance with deep reflector dish is complying with standard ETSI class 3 and FCC Part 101A.

### Electrical parameters:

<b>Frequency range</b>	10.0 – 12.0 GHz
<b>Gain</b> – Low frequency	43.0 ± 1 dBi
<b>Gain</b> – High frequency	44.0 ± 1 dBi
<b>Front to back ratio</b>	≥ 69 dB
<b>Beamwidth</b> <sub>-3 dB</sub>	1.0°
<b>Return loss</b>	≥ 15 dB <sub>/10.3 – 11.7 GHz</sub>
<b>Polarization</b>	Linear, vertical/horizontal
<b>Electrical Compliance</b>	US FCC <b>Part 101A</b>   10.550 – 10.680 GHz
	US FCC <b>Part 101A</b>   10.7 – 11.7 GHz
	<b>Class 3</b> ETSI EN 302-217-4-2
	ACMA - RALI FX3 <b>Grade B</b>

### Mechanical parameters:

<b>Parabola</b>	Ø 1800 mm , aluminium alloy
<b>Radom</b>	UV resistant composite material
<b>Input / output</b>	Circle waveguide Ø 19 mm
<b>Installation for mast</b>	ø 70 - 120 mm
<b>Operating wind load</b>	140 km/h (87 mph)
<b>Survival wind load</b>	210 km/h (130 mph)
<b>Weight of antenna</b>	82 kg (180 lbs.)
<b>Shipping dimensions</b>	1945 x 770 x 2050 mm / 140 kg
	6' 4.6" x 2' 6.3" x 6' 8.7" / 308.6 lbs

## Parabolic antenna JRMC - 1800 -10/11

---

### Usage:

The antenna is supplied together with a massive holder that allows easy mounting on a mast. Holder can be installed separately on the mast. Subsequently, the antenna and microwave unit can be simply hung up into it.

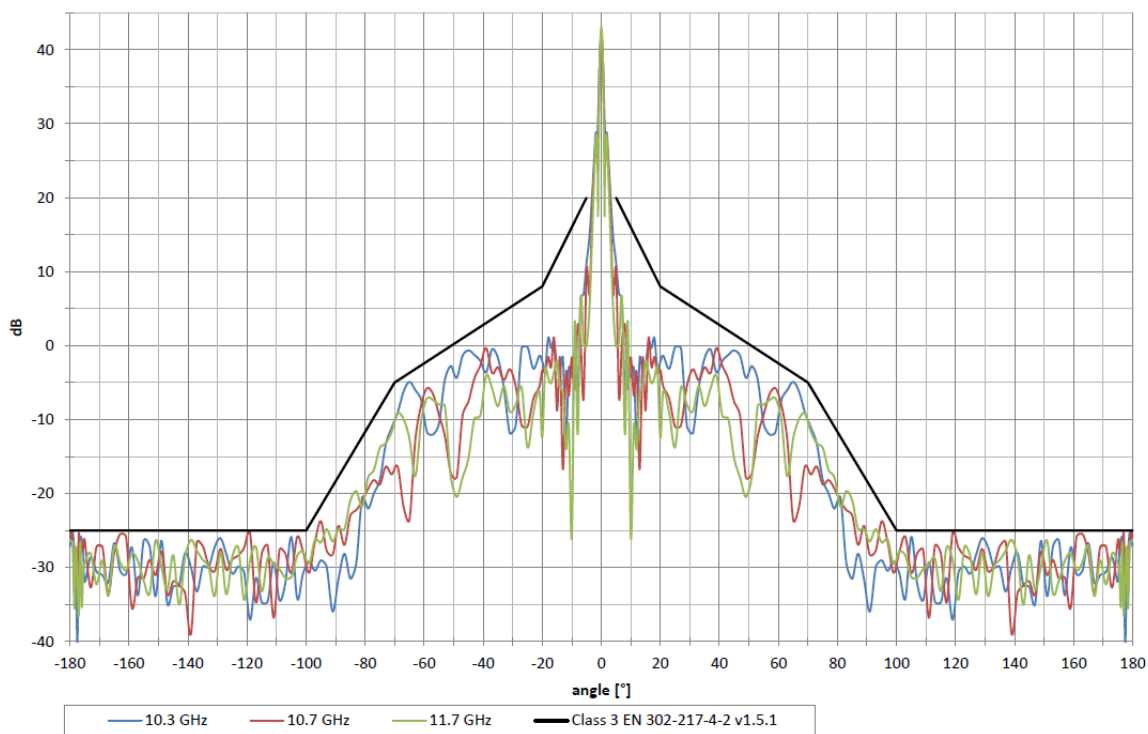
Antenna holder allows fine setting of elevation  $\pm 7^\circ$ . Adjustable wind bracing set for fine setting of azimuth  $\pm 7^\circ$  is a part of antenna.

Ready for right and left side mounting.

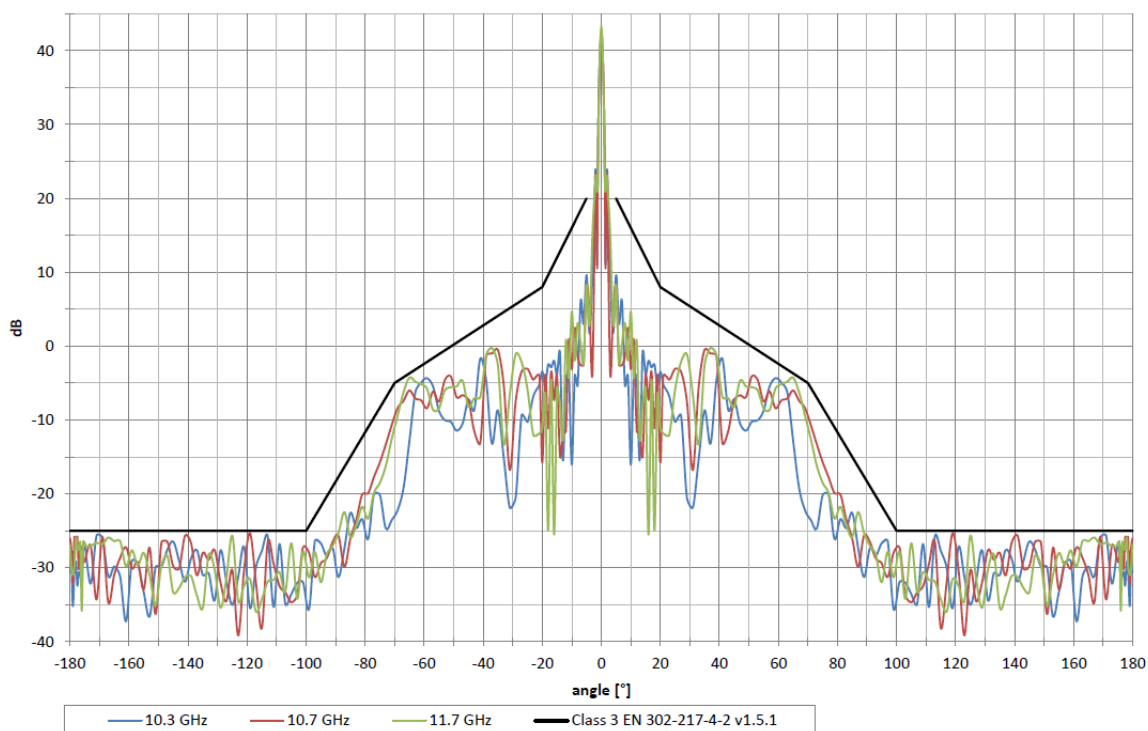
# Parabolic antenna JPMC - 1800 -10/11

## Measurement of radiation pattern:

JPMC - 1800 - 10/11 - E plane

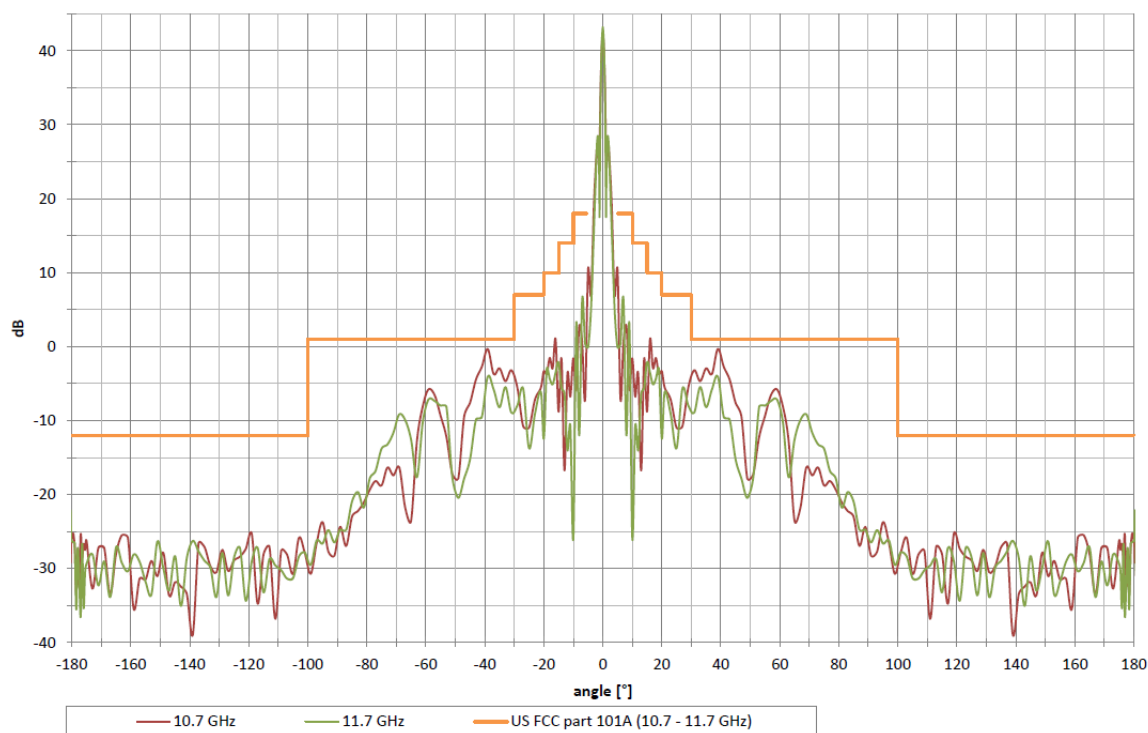


JPMC - 1800 - 10/11 - H plane

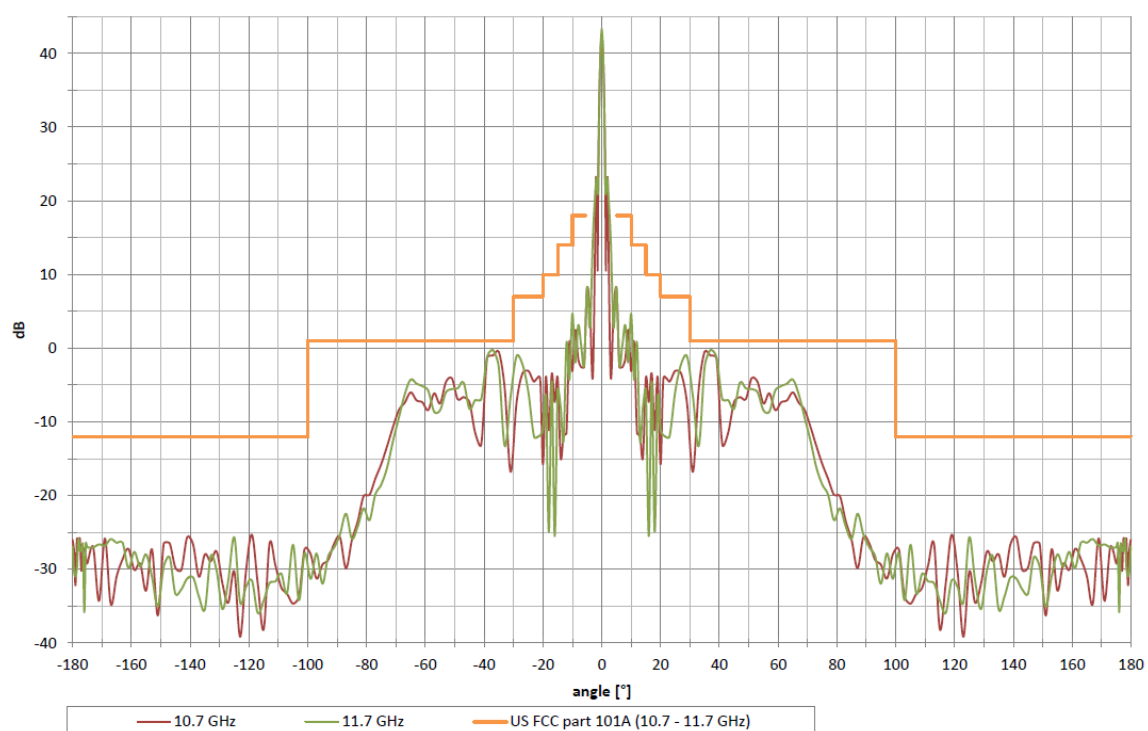


# Parabolic antenna JPMC - 1800 -10/11

JPMC - 1800 - 10/11 - E plane

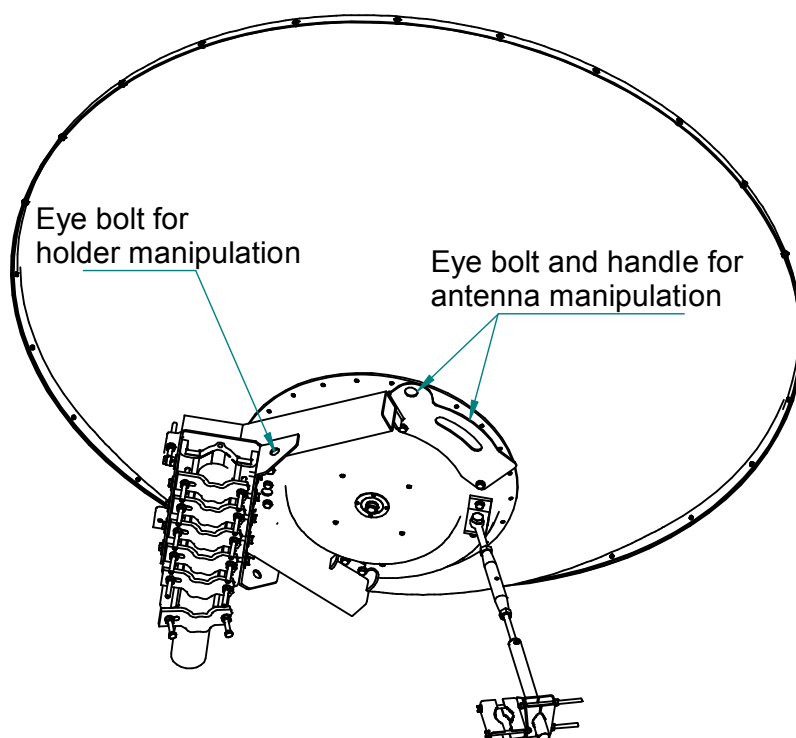
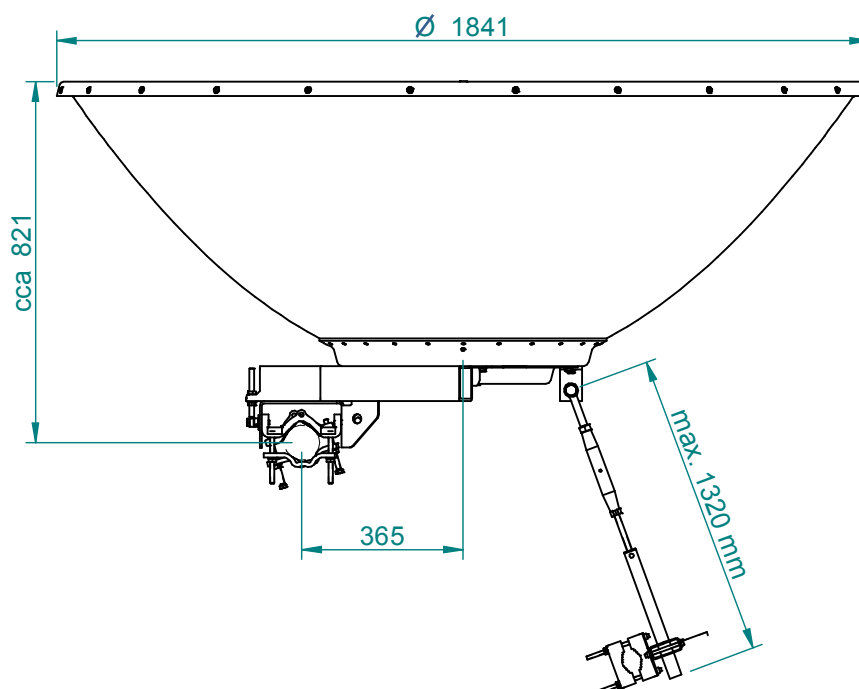


JPMC - 1800 - 10/11 - H plane



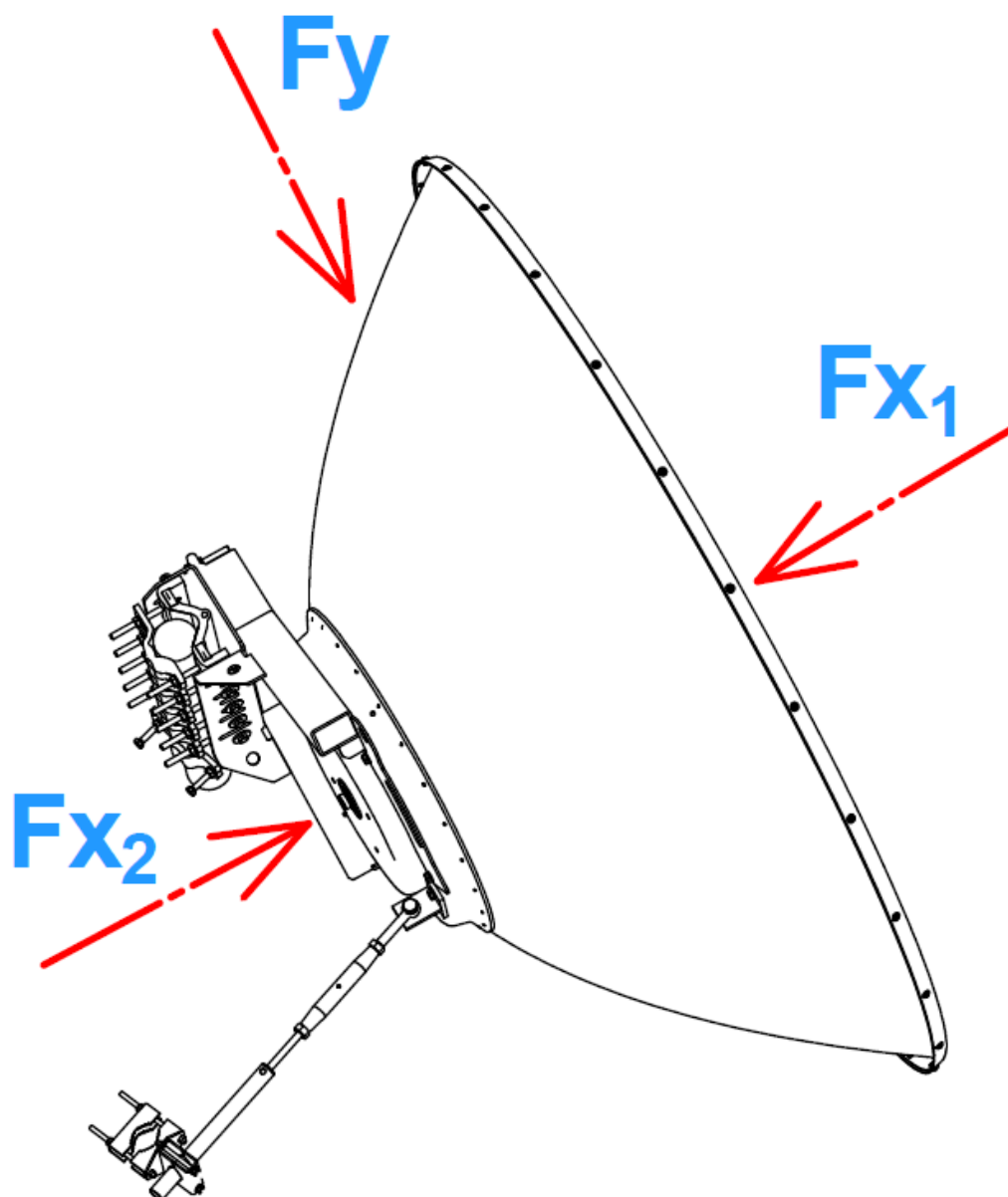
# Parabolic antenna JRMJ - 1800 -10/11

## Outline:



## Parabolic antenna JRMC - 1800 -10/11

### Wind loading:



Wind Loading 200 km/h [ 125 mph ]		
Direction	Force [ N ]	Force [ lbf ]
Fx1	4424	994
Fx2	3394	763
Fy	672	151