

## Parabolic antenna JPMC - 900 -13

---

Antenna JPMC – 900 – 13 is designed for microwave links at the frequency band 13 GHz. Precise performance with deep reflector dish complies with standard ETSI class 3 and FCC.

### Electrical parameters:

<b>Frequency range</b>	12.7 – 13.3 GHz
<b>Gain</b> – Low frequency	38.2 ± 1 dBi
<b>Gain</b> – High frequency	38.6 ± 1 dBi
<b>Front to back ratio</b>	≥ 63 dB
<b>Beamwidth</b> <sub>-3 dB</sub>	1.7°
<b>Return loss (VSWR)</b>	≥ 18 dB
<b>Polarization</b>	Linear, vertical/horizontal
<b>Electrical Compliance</b>	<b>US FCC Part 101B</b> <b>Class 3</b> ETSI EN 302-217-4-2 v1.5.1

### Mechanical parameters:

<b>Parabola</b>	Ø 900 mm , aluminium alloy
<b>Radome</b>	UV steady plastic ABS
<b>Input / output</b>	Circle waveguide Ø 16 mm
<b>Installation for mast</b>	Ø 40 – 120 mm
<b>Operating wind load</b>	140 km/h (87 mph)
<b>Survival wind load</b>	210 km/h (130 mph)
<b>Weight of antenna</b>	8.2 kg (18.1 lbs.)
<b>of holder</b>	3.2 kg (7.1 lbs.)
<b>Shipping dimensions</b>	1000 x 990 x 430 mm / 18 kg (39.7 lbs.)

## Parabolic antenna JRMC - 900 -13

---

### Usage:

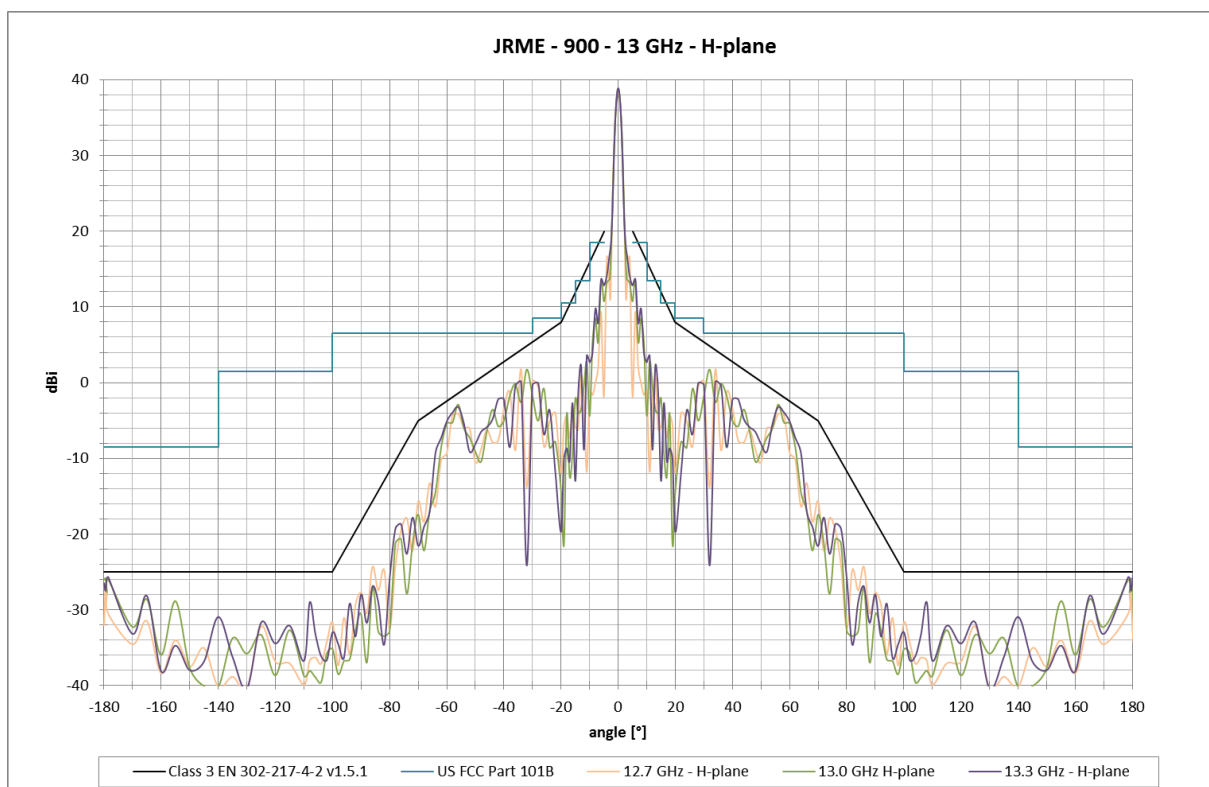
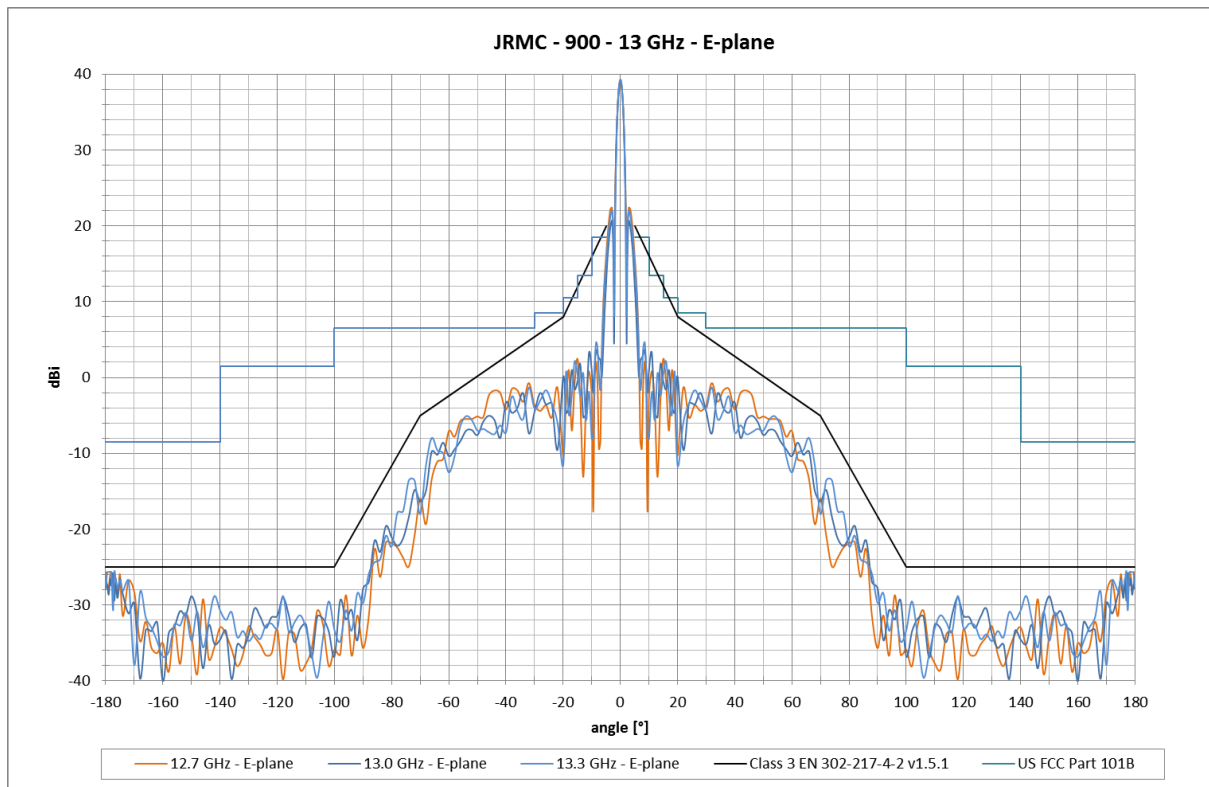
- deep parabola for better parameters
- **easy to assembly:** first the holder and then the antenna only by 2 screws
- **fine setting** elevation (of gradient) and azimuth  $\pm 20^\circ$
- extreme wind stability

The antenna is supplied with a holder that allows easy mounting on a mast. The holder can be installed separately on the mast. Subsequently, you can simply hang up the antenna with microwave unit into it. The holder allows precise adjustment in both directions. Ready for right and left side mounting.

In the areas with the expected occurrence of the strong winds mounting on the mast with minimal  $\varnothing$  70 mm is recommended.

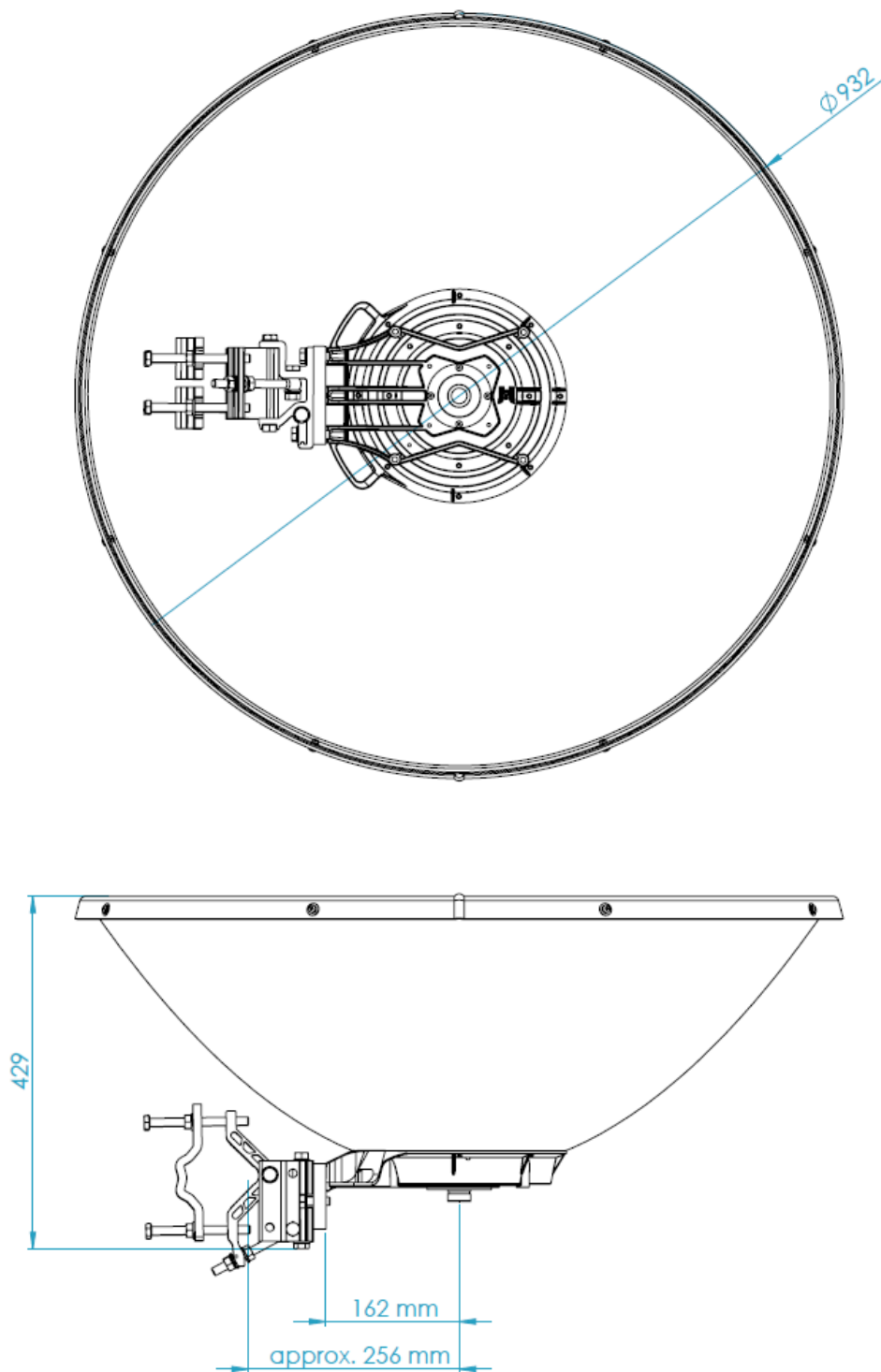
# Parabolic antenna JPMC - 900 -13

## Measurement of radiation pattern:



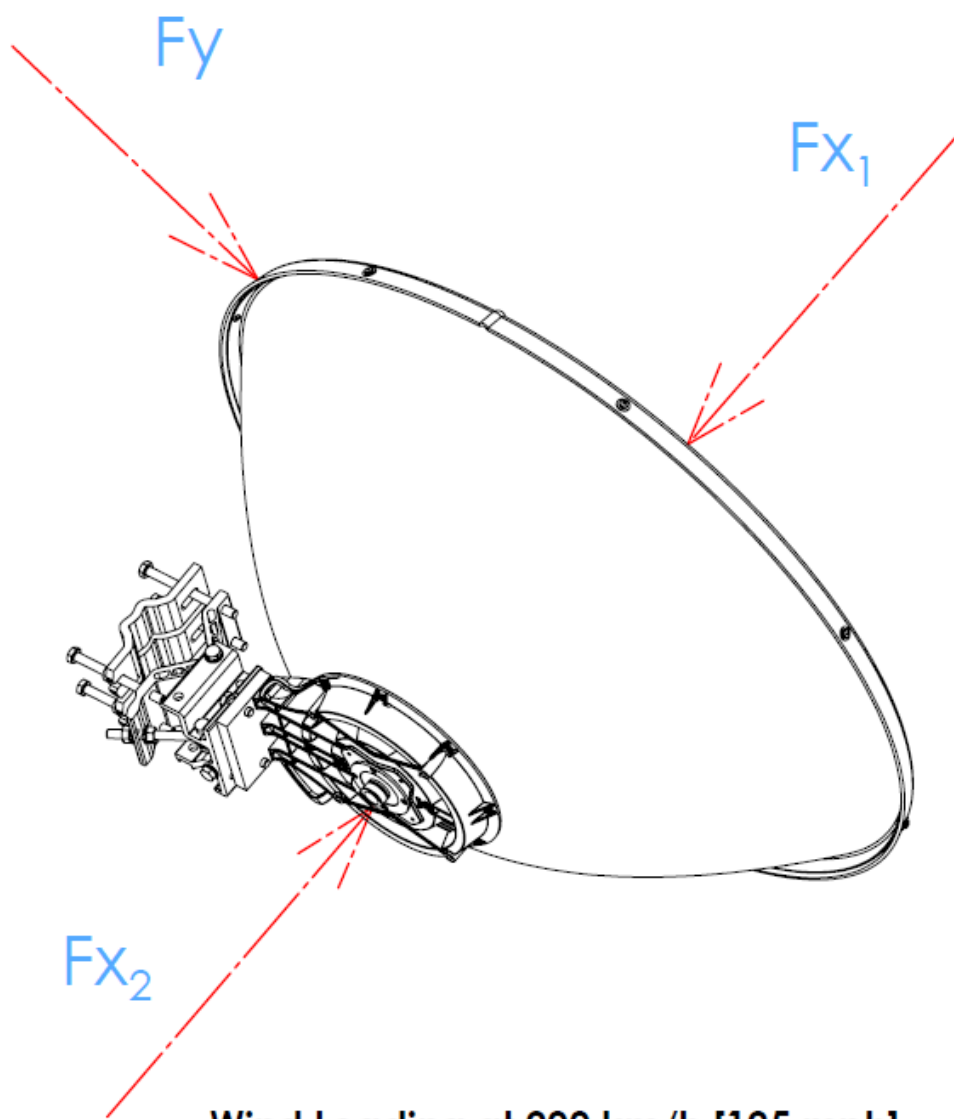
## Parabolic antenna JPMC - 900 -13

### Outline:



## Parabolic antenna JPMC - 900 -13

### Wind loading:



**Wind Loading at 200 km/h [125 mph]**

Direction	Force [N]	Force [lbf]
$F_{x_1}$	1443	324,4
$F_{x_2}$	1324	297,4
$F_y$	91	20,4