

## Parabolic antenna JRMD-400-80

---

Antenna JRMD-400-80 is designed for microwave links at the frequency band 80 GHz. Precise performance with deep reflector dish complies with standard ETSI class 2.

### Electrical parameters:

<b>Frequency range</b>	71 – 86 GHz
<b>Gain</b> - Low frequency	46.4 ± 1 dBi
<b>Gain</b> - High frequency	48.2 ± 1 dBi
<b>Front to back ratio</b>	≥ 63 dB
<b>Beamwidth</b> <sub>-3 dB</sub>	0.7°
<b>Return loss</b>	≥ 15 dB
<b>Polarization</b>	Linear, vertical/horizontal
<b>Electrical Compliance</b>	<b>Class 2</b> ETSI EN 302-217-4-2 v1.5.1

### Mechanical parameters:

<b>Parabola</b>	Ø 400 mm, Aluminium
<b>Radome</b>	UV steady plastic
<b>Input / output</b>	Circle waveguide Ø 3.2 mm
<b>Installation for mast</b>	Ø 40 - 120 mm
<b>Operating wind load</b>	180 km/h (112 mph)
<b>Survival wind load</b>	240 km/h (149 mph)
<b>Weight of antenna</b>	2.1 kg (4.6 lbs.)
<b>of holder</b>	2.5 kg (5.5 lbs.)
<b>Shipping dimensions</b>	475x475x245 mm

## Parabolic antenna JRMD-400-80

---

### Usage:

- deep parabola for better parameters
- **easy to assembly:** first the holder and then the antenna only by 2 screws
- superior stability when tightening after alignment
- extreme wind stability

The antenna is supplied with a holder that allows easy mounting on a mast. The holder can be installed separately on the mast. Subsequently, you can simply hang up the antenna with microwave unit into it.

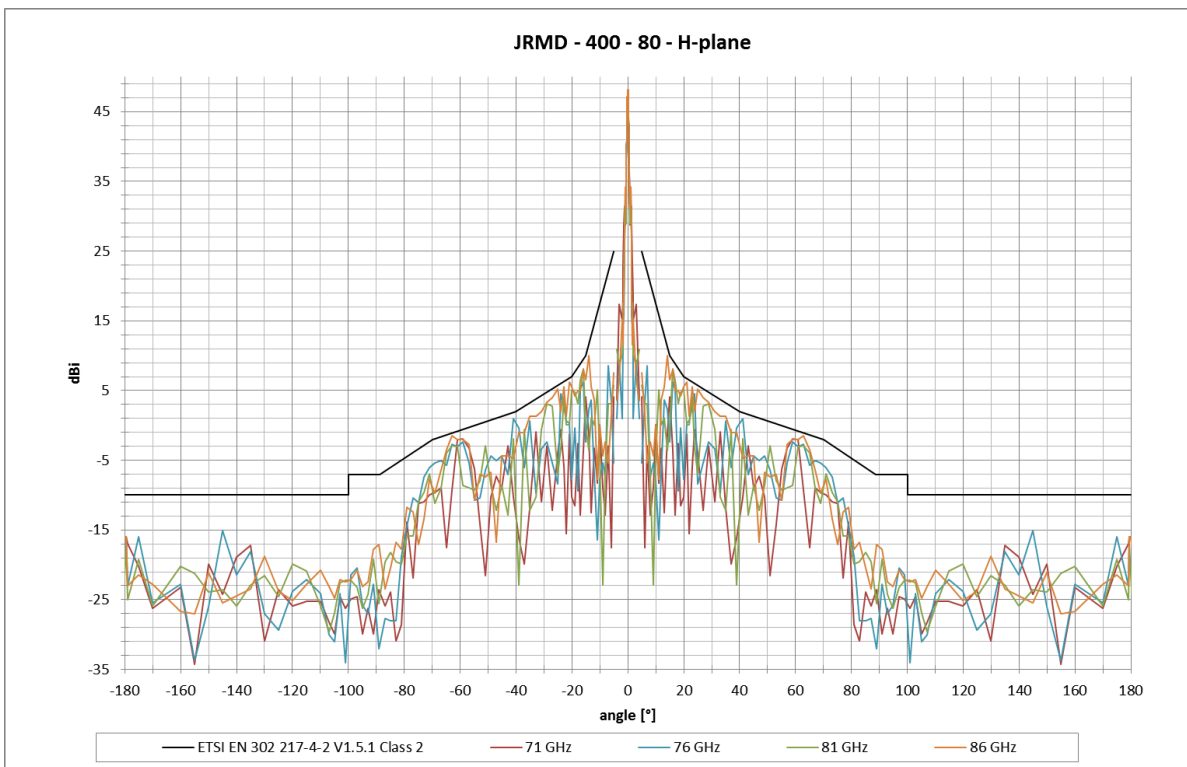
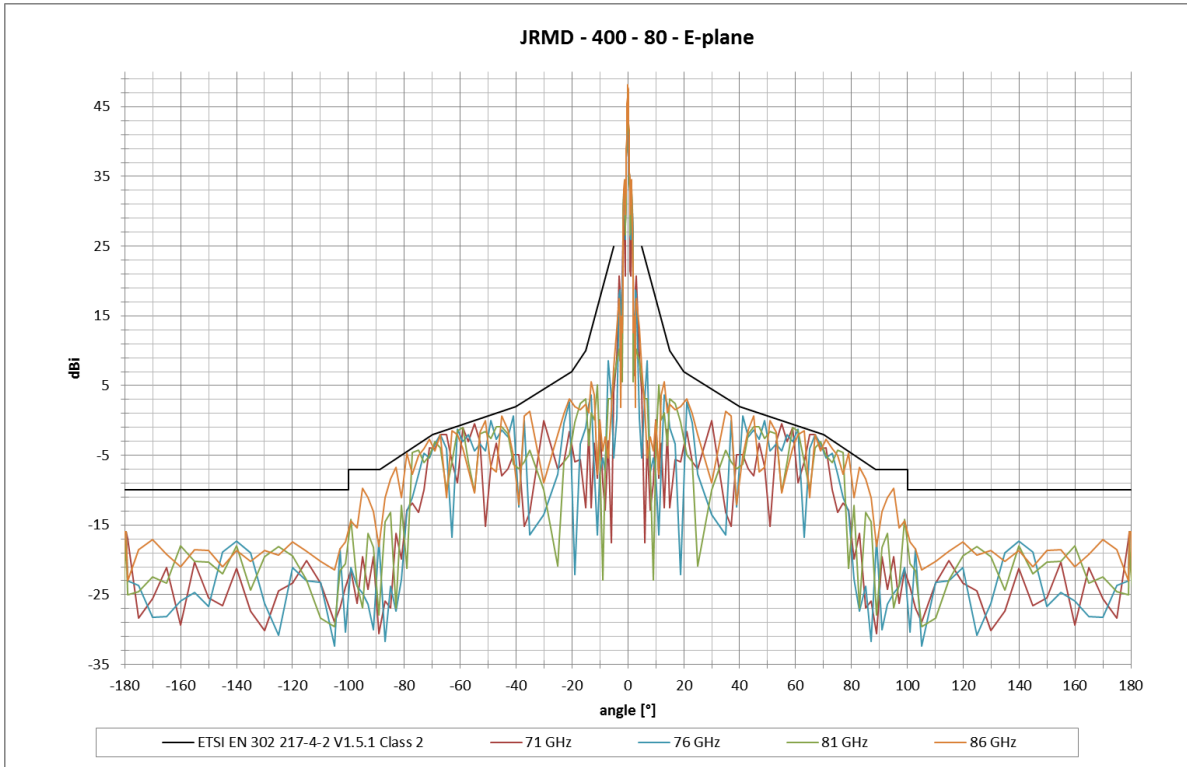
The holder JDMW-410 was designed especially for 80 GHz antennas:

- **extra fine** adjustment in both directions
- **superior stability** when tightening after alignment

Ready for right and left side mounting.

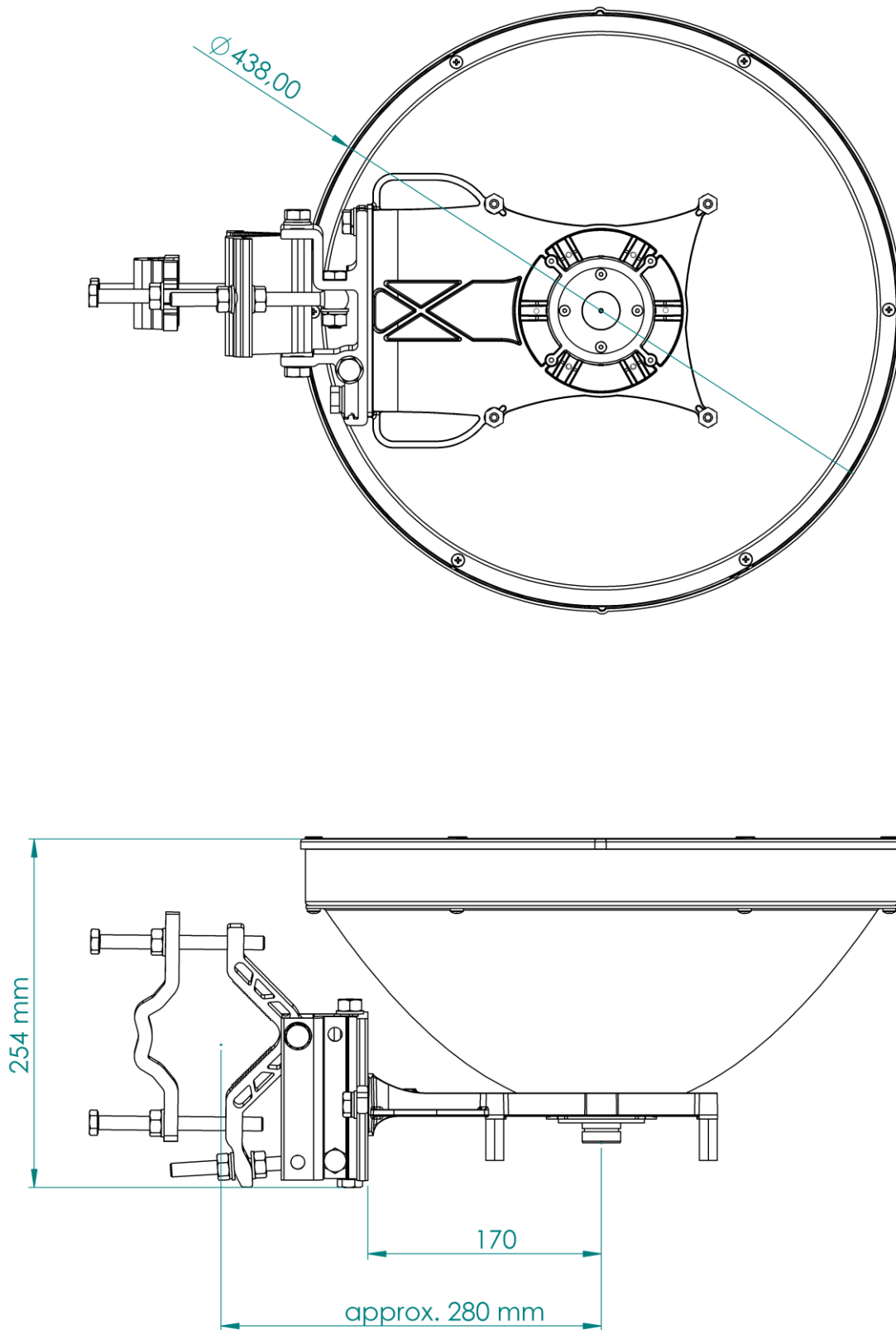
# Parabolic antenna JRMD-400-80

## Measurement of radiation pattern:



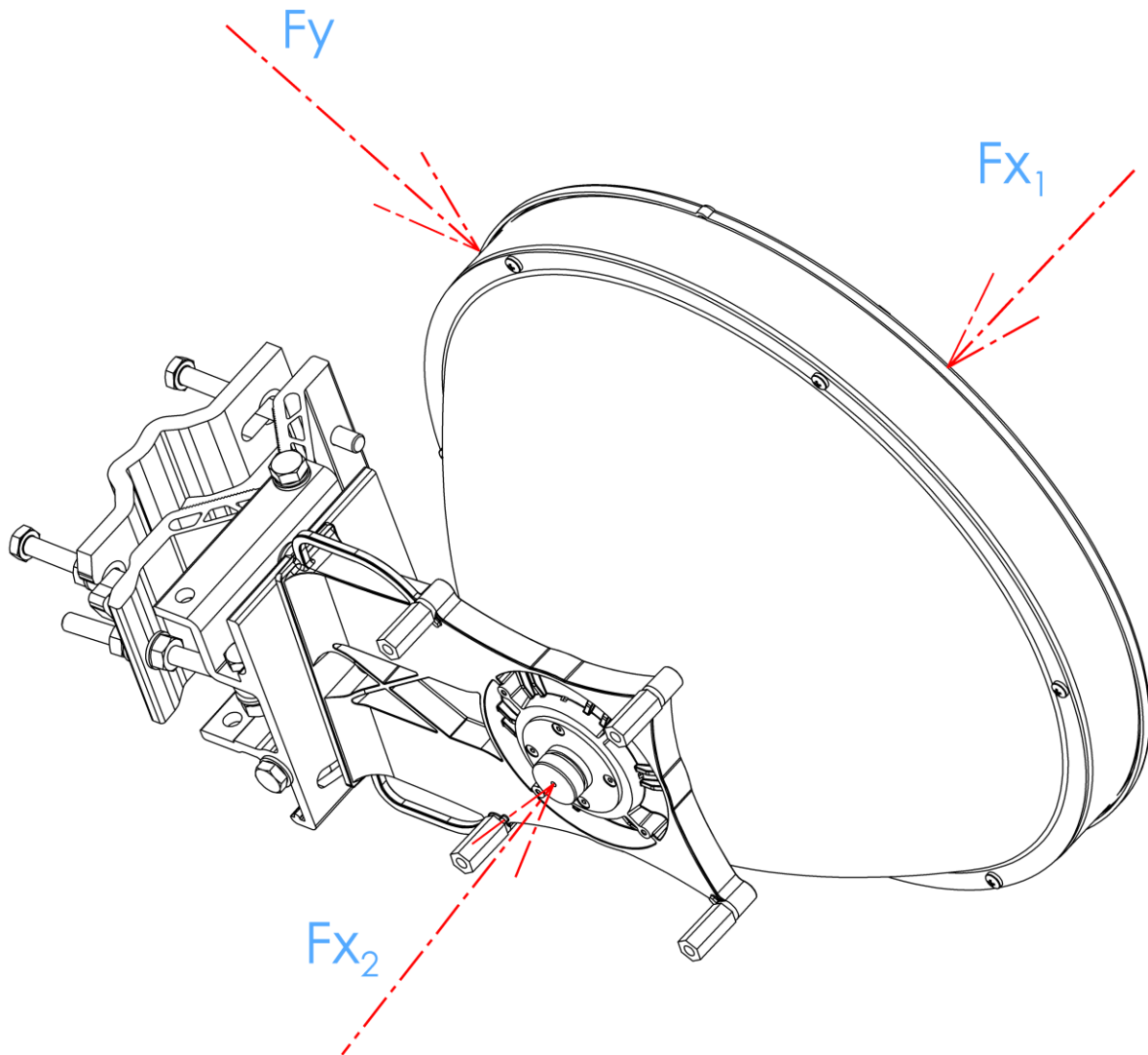
## Parabolic antenna JRMD-400-80

### Outline:



## Parabolic antenna JRMD-400-80

### Wind loading:



### Wind loading 200 km/h [125 mph ]

Direction	Force [N]	Force [lbf]
$F_{x_1}$	344	77,3
$F_{x_2}$	313	70,3
$F_y$	35	7,8