

## Adaptor JXCer-C-11

The adaptor is designed for **Jirous antennas** (of the required frequency band) and allows the installation of **Ceragon** and **Cambium** radio units. The adaptor allows fine adjustment of the polarization (attribute of OMT).

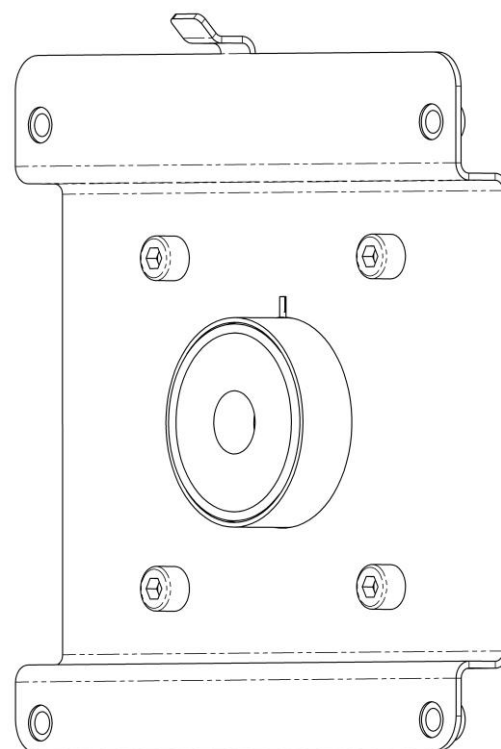
### Technical parameters:

<b>Frequency band</b>	11 GHz
<b>Polarization adjustment</b>	according OMT
<b>Insert loss</b>	< 0,1 dB
<b>Waveguide</b>	Circular
<b>Material</b>	Aluminum alloy with high corrosion protection Stainless steel
<b>Weight</b>	1 kg (2.2 lbs)
<b>Package size/weight</b>	220x235x50 mm / 1kg (2.2 lbs)

### Compatible radio units:

**Ceragon:** all XPIC radio units (model name contains the letter **C**, e.g. IP-20C, IP-50C, ...)  
Use the original Ceragon OMT.

**Cambium:** all XPIC radio units (model name contains the letter **C**, e.g. PTP-820C, PTP-850C, ...)  
Use the original Cambium OMT.



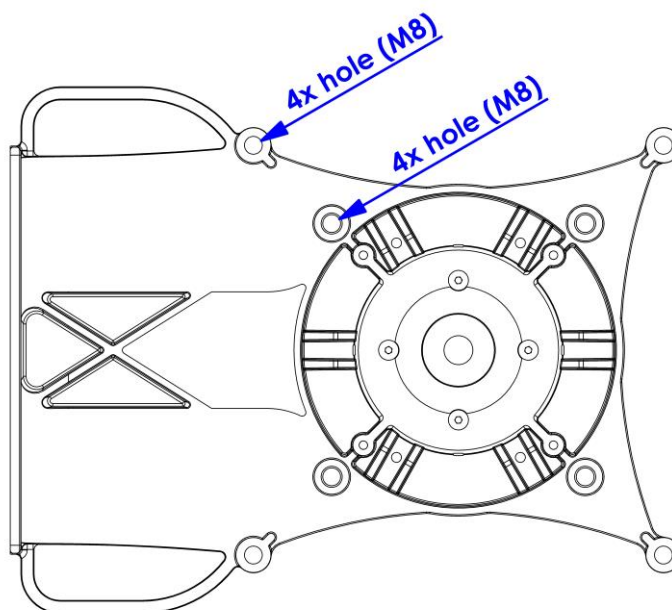
the adaptor

## Adaptor JXCer-C-11

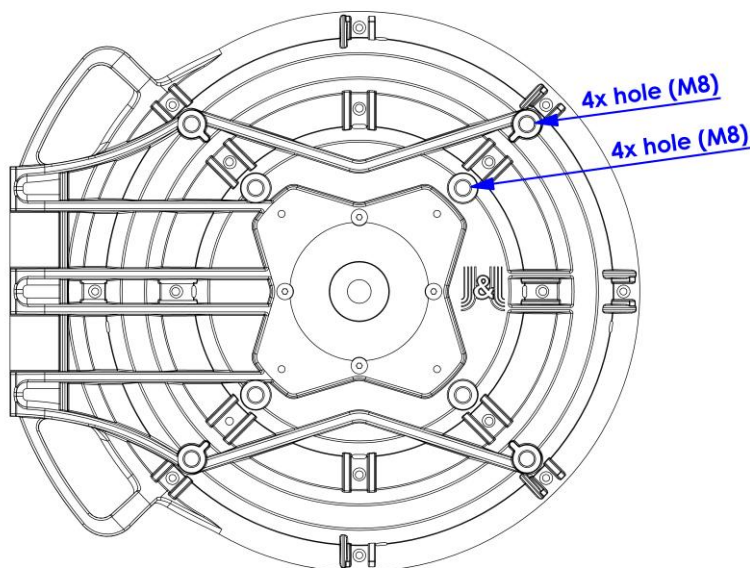
### Suitable antennas:

Adaptors require mounting holes M8 at antenna (see pictures below). All Jirous antennas since the year 2022 are compatible.

400 mm / 1 ft antennas  
with back part:

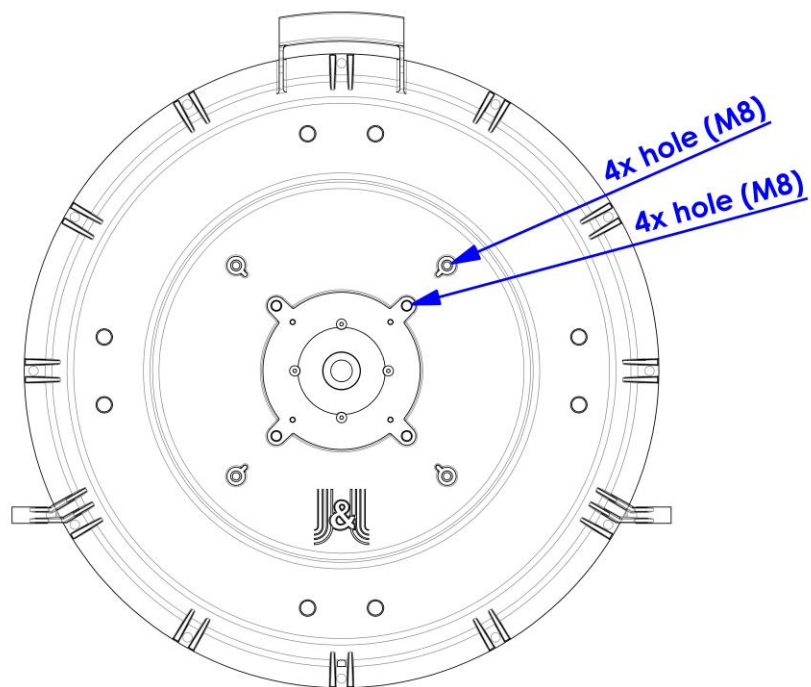


680 and 900 mm / 2 and 3 ft  
antennas with back part:



## Adaptor JXCer-C-11

1200 mm / 4 ft antennas  
with back part:



1800 mm / 6 ft antennas  
with back part:

