

Adaptor JXCer-S-11

The adaptor is designed for **Jirous antennas** (of the required frequency band) and allows the installation of **Ceragon** and **Cambium** radio units.

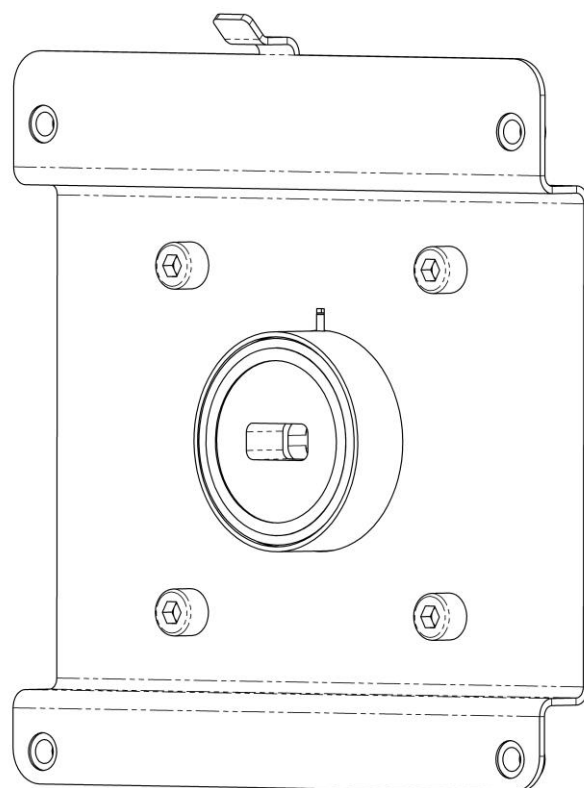
Technical parameters:

Frequency band	11 GHz
Polarization	vertical or horizontal
Insert loss	< 0,1 dB
Waveguide	Rectangular
Material	Aluminum alloy with high corrosion protection Stainless steel
Weight	1 kg (2.2 lbs)
Package size/weight	220x235x50 mm / 1kg (2.2 lbs)

Compatible radio units:

Ceragon: radio units which model name contains the letter **S**, e.g. IP-20S, IP-50S, ...
Ready for mounting radio unit directly.

Cambium: radio units which model name contains the letter **S**, e.g. PTP-820S, PTP-850S, ...
Ready for mounting radio unit directly.



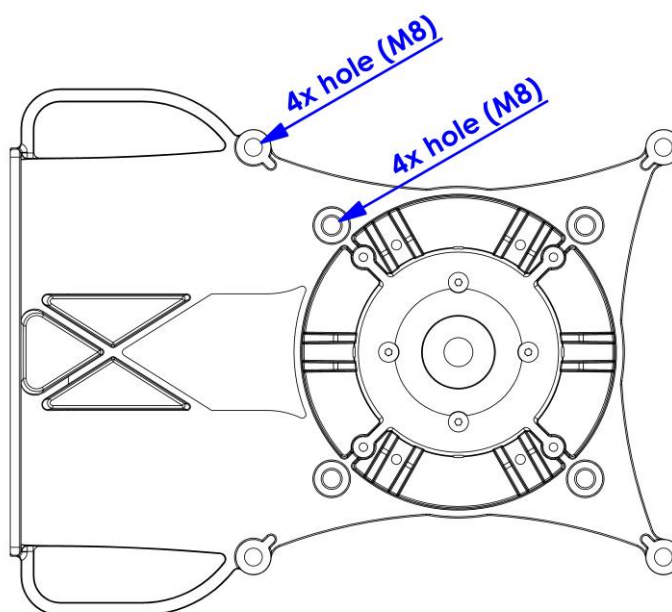
the adaptor

Adaptor JXCer-S-11

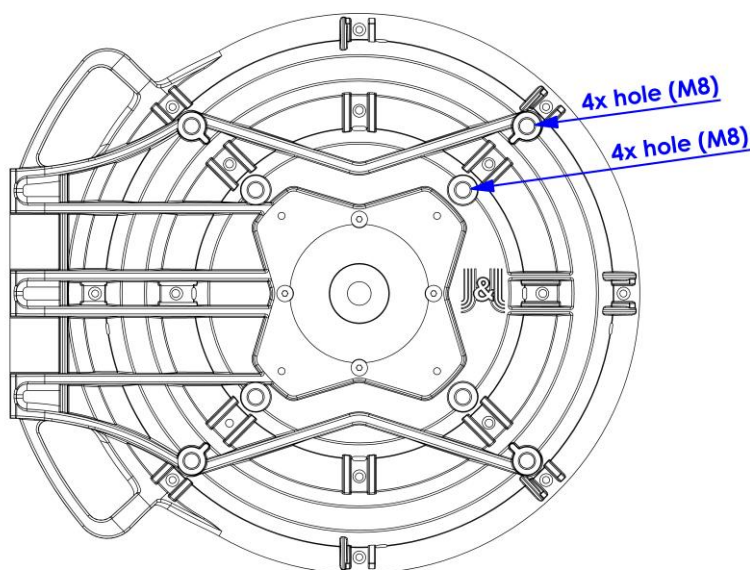
Suitable antennas:

Adaptors require mounting holes M8 at antenna (see pictures below). All Jirous antennas since the year 2022 are compatible.

400 mm / 1 ft antennas
with back part:

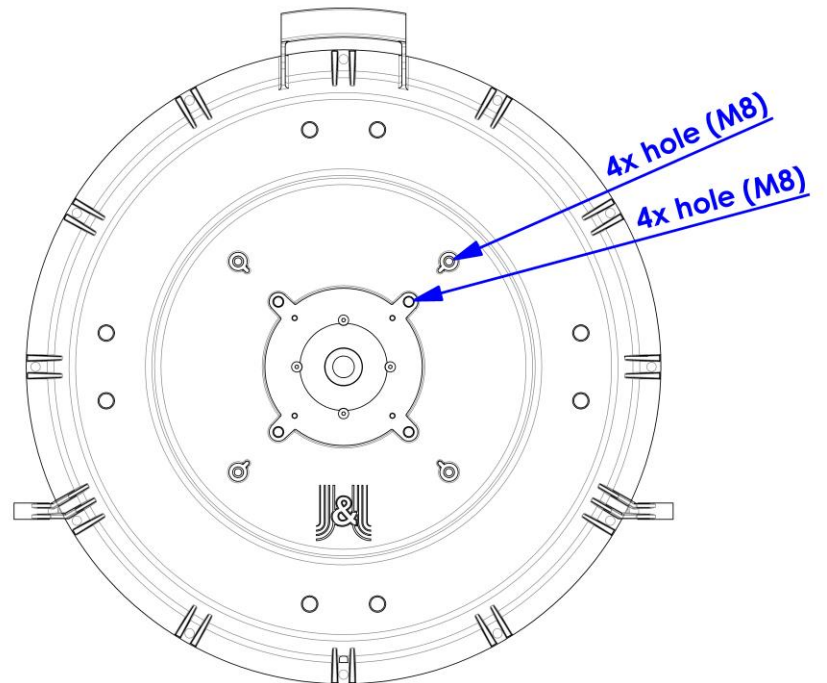


680 and 900 mm / 2 and 3 ft
antennas with back part:



Adaptor JXCer-S-11

1200 mm / 4 ft antennas
with back part:



1800 mm / 6 ft antennas
with back part:

